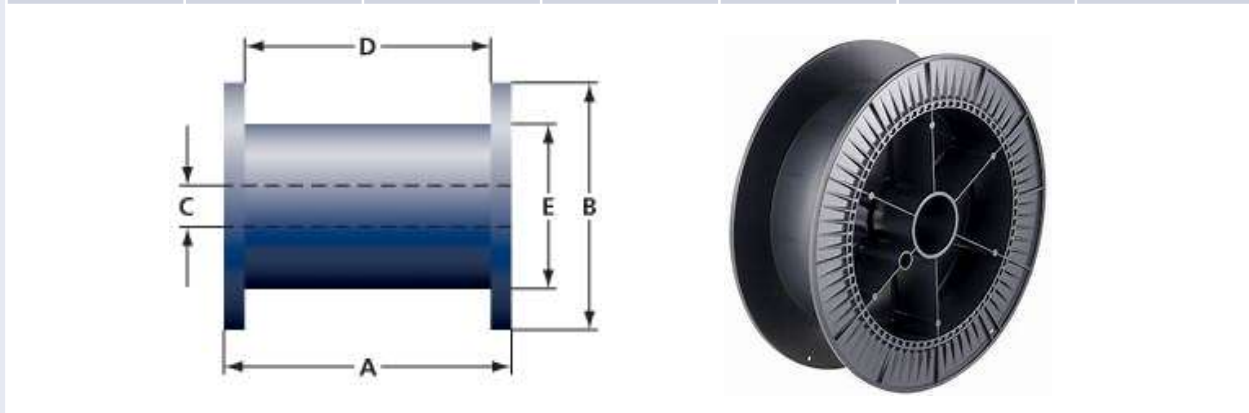


Reel Specification

DIN300

Version 2

Code	Length (A) mm	Width (B) mm	Bore (C) mm	Traverse (D) mm	Barrel (E) mm	Fill weight per reel kg
DIN 300	103	300	52	91	212	15kg



Other standard reels available

Code	Length (A) mm	Width (B) mm	Bore (C) mm	Traverse (D) mm	Barrel (E) mm	Fill weight per reel kg
DIN 100	100	100	16	80	63	1kg
DIN 125	125	125	16	100	80	3.5kg
DIN 160	160	160	22	128	100	7kg
DIN 200	200	200	22	160	125	12kg
SD200K	55	200	52	45	105	7kg
DIN 250	200	250	22 / 35	160	160	23kg
DIN 355	200	355	35	160	224	45kg
DIN 500	250	500	35	180	315	90kg
DIN 560	380	560	127	320	280	250kg
DIN 630	430	630	127	380	280	450kg

Wire is available in drum packs and a variety of reel and coil sizes according to customer requirements. Other reels available on request.



Chaplin Bros. (Birmingham) Limited
Reddicap Trading Estate
Sutton Coldfield
West Midlands
B75 7BU, England

Tel: +44(0)121 378 0565
Email: sales@chaplinwire.com
www.chaplinwire.com

